

Thermostatic mixing valves MMV-C (MMV - Compact)



- Easily installed **Compact** thermostatic mixing valves
- 2 models of handwheel : with graduated scale (Min to Max - 5 setting positions) or click cover cap
- 2 Finishing : nickel plated or self colour brass
- Compliance with standard EN1111 and EN1287
- Brass DZR body and WRAS approved
- MMV-C with compression fitting 22 mm and 15 mm are TMV2 approved (art. number 97126, 97127, 97129, 97130, 97140, 97142, 97143, 97144)



WATTS
INDUSTRIES

A Division of Watts Water Technologies Inc.



Application :

- Compact thermostatic mixing valve designed to supply general purpose applications with tempered water not exceeding a set temperature.
- Ideal for multi-facility applications : Domestic homes, schools, restaurants, laboratories, motorway services, commercial buildings... anywhere needing a supply of water at a temperature pre-set on site.

Scald protection :

Rapid fail safe on either hot or cold water supply failure comply with EN1111 and EN1287.

Features :

- Easily installed thermostatic mixing valve.
- Handwheel with set positions (graduated scale Min to Max - 5 setting positions) or click cover cap.
- Locking cap preventing the end user from adjusting the temperature.
- WRAS approved.
- Outstanding reliability.
- DZR Brass body.
- Compliance with standard EN1111 and EN1287
- Compression fitting 22 mm and 15 mm - TMV2 approved certificate N°BC 175/0206 (art. number 97126, 97127, 97129, 97130), N°BC 208/0706 (art. number 97140, 97142, 97143, 97144).
- Fitted with 2 check valves.
- Can be installed in any position.
- Nickel plated finish or self colour brass.

Range MMV-C - nickel plated finish	Cap	Finish	Code ref.
body 1" with G 1/2" male union threaded	graduated scale	nickel plated	97134
body 1" with G 3/4" male union threaded	graduated scale	nickel plated	97136
body 1" with compression fitting 22 mm TMV2	graduated scale	nickel plated	97140
body 1" with compression fitting 15 mm TMV2	graduated scale	nickel plated	97142
body 1" with angle valves comp. fitting 22 mm TMV2	graduated scale	nickel plated	97144
body 1" with angle valves comp. fitting 15 mm TMV2	graduated scale	nickel plated	97143
body 3/4" - DN 20 male threaded	graduated scale	nickel plated	97160
body 1" - DN 25 male threaded	graduated scale	nickel plated	97138
body 1" with compression fitting 22 mm TMV2	click cover cap	nickel plated	97127
body 1" with compression fitting 15 mm TMV2	click cover cap	nickel plated	97126
body 1" with angle valves comp. fitting 22 mm TMV2	click cover cap	nickel plated	97130
body 1" with angle valves comp. fitting 15 mm TMV2	click cover cap	nickel plated	97129

New

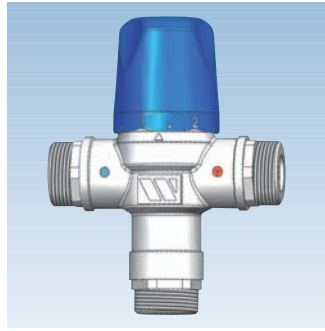
Range MMV-C - self colour brass finish	Cap	Finish	Code ref.
body 1" with G 1/2" male union threaded	graduated scale	self colour brass	97133
body 1" with G 3/4" male union threaded	graduated scale	self colour brass	97135
body 1" with compression fitting 22 mm	graduated scale	self colour brass	97141
body 1" with compression fitting 15 mm	graduated scale	self colour brass	97139
body 1" - DN 25 male threaded	graduated scale	self colour brass	97137

Specifications :

- 1/2" or 3/4" Male/Male union threaded on inlets and outlets, compression fitting 15 or 22 mm, and male threaded 3/4" or male threaded 1".
- Pressure at the valve inlets must be within the 5:1 ratio under flow conditions. The size and layout of pipework and in-line fittings must take this into consideration. Optimum performance achieved with equal pressure.
- Temperature : accurate to within 1,5°C of chosen temperature (with balanced dynamic pressure).
- Head loss under dynamic pressure at the mixer inlets is shown by the curve.
- Maximum static pressure : 10 bar.
- Operating pressure : 0,2 to 5 bar.
- Hot temperature supply : 52* - 85°C, *differential minimum hot/mix temperature must be 10°C.
- Cold temperature supply : 5 - 20°C.
- Temperature setting range : 30 to 65°C.
- Factory temperature setting 38°C.
- Flow rate at 3 bar : 57 l/min.
- Flow mini : 5 l/min.
- Body strength : 25 bar.

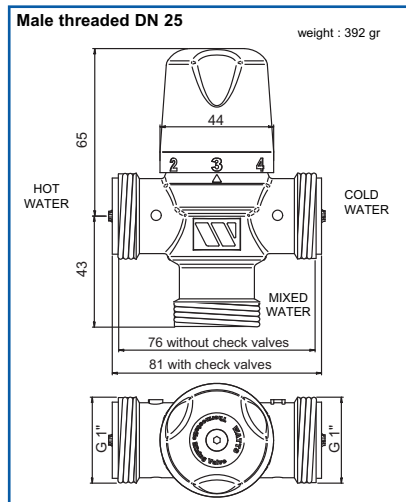
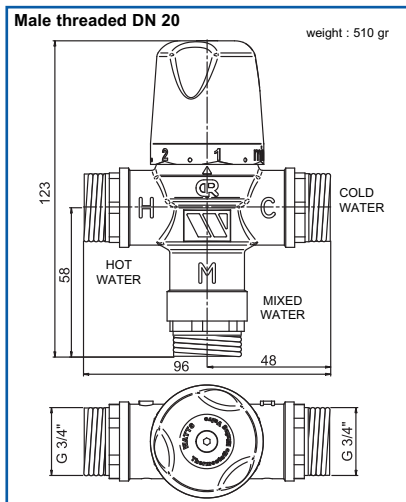
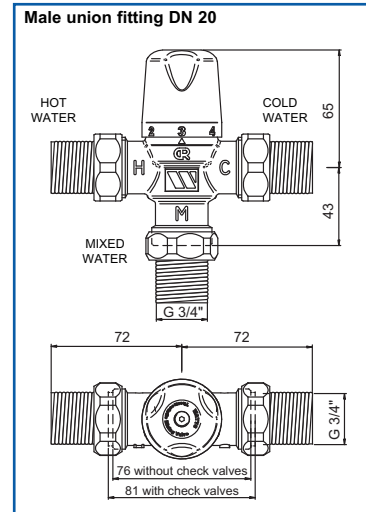
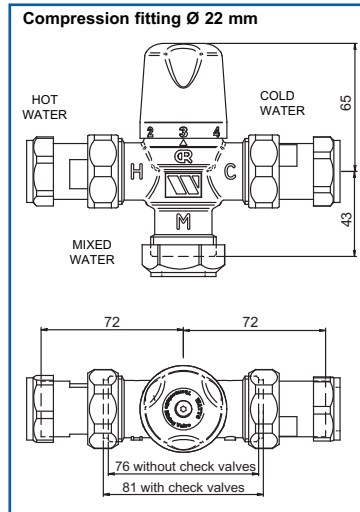
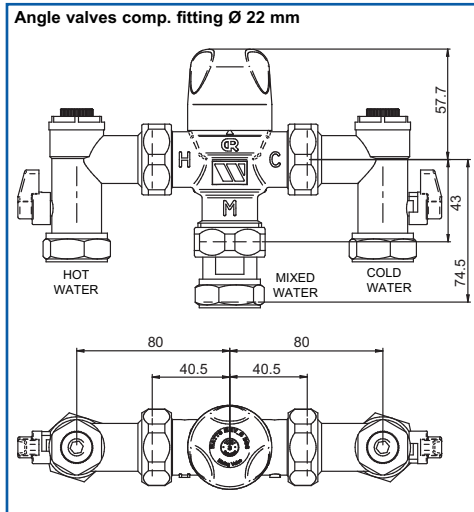
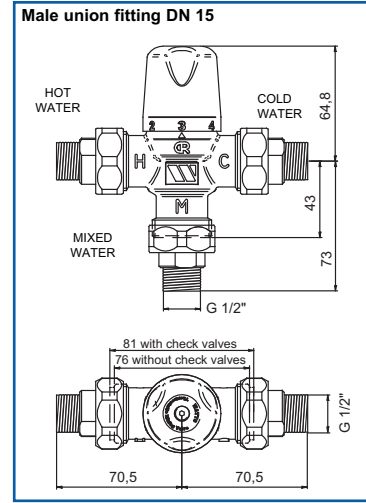
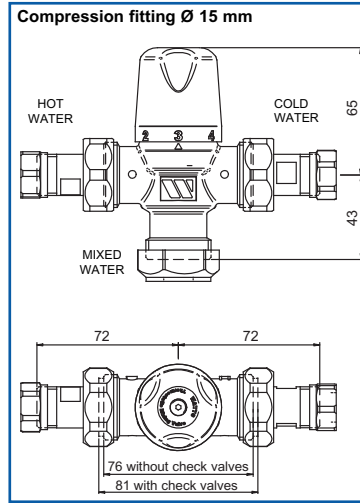
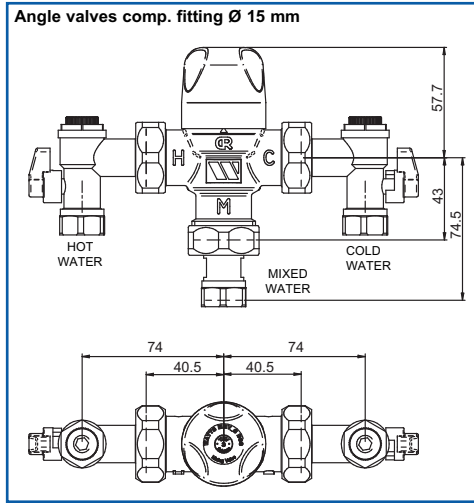


Body G1" - DN 25 male threaded

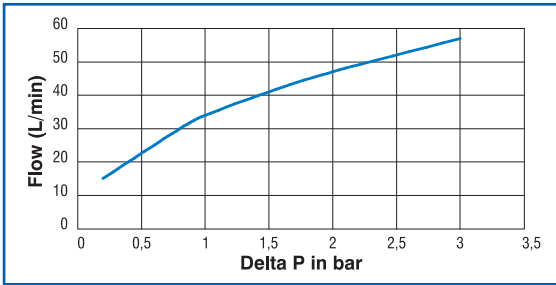


Body G3/4" - DN 20 male threaded

Dimensions :



Flow rate :



Materials	
Body	brass DZR - CW602N
Finish	nickel plated or self colour brass (BR suffix)
Spring	stainless steel
Other brass parts	CW 614N
Piston	PSU (polysulfone polymer)
O-ring	EPDM
Check-valve	POM + stainless steel + rubber
Head	PA with glass fiber

2 types of handwheel :

Handwheel with click cover cap

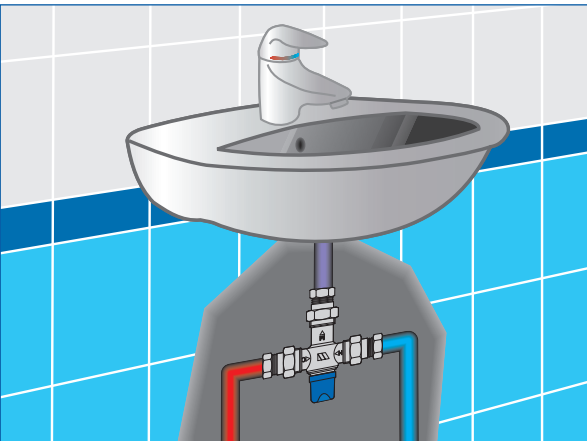


Handwheel with graduated scale Min to Max - 5 setting positions

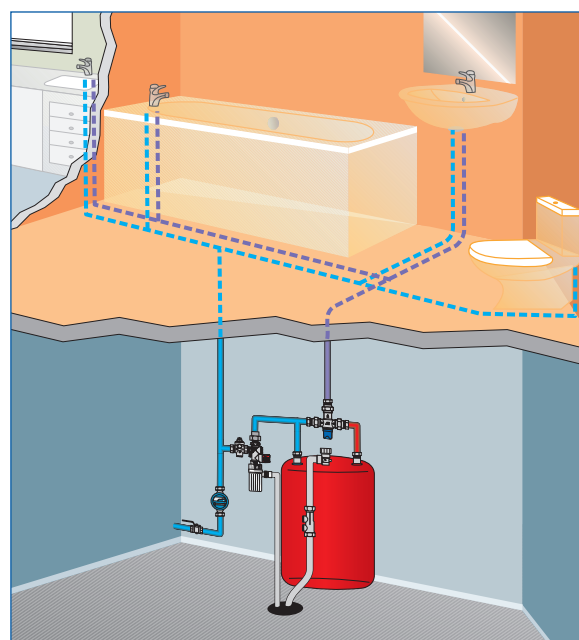


Typical installation :

Point of use control



Boiler control



The photographs, illustrations and descriptions contained in this brochure are given for information only. Watts Industries reserves the right to change the technical specifications or the design of these products without prior notice.



A Division of Watts Water Technologies Inc.

WATTS INDUSTRIES France

06, avenue Gustave Eiffel - B.P. 40339
 28006 CHARTRES Cedex (France)
 Tel. +33 (0)2 37 25 11 00 - Fax +33 (0)2 37 25 11 11
 E-mail info@wattsindustries.fr
 Site www.wattsindustries.com