

THERMODYNAMIC STEAM TRAPS

TDK-PS



Scan this QR Code



DESIGN

Product Features

Body	ASTM A743 CA40F Corrosion Resistant Alloy
Cover	Stainless Steel AISI 304
Internals and float	Stainless Steel AISI 304
Connection Types	Threaded and Socket

Operating Conditions

Max. Operating Pressure (PMO)	42 bar
Max. Operating Temperature (TMO)	400°C

Operation

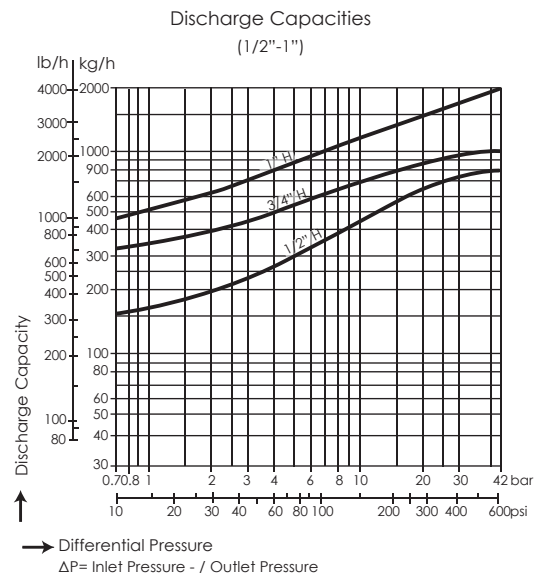
At start-up, the disc is pushed off its seat by any air or condensate entering the trap. When the steam enters the trap, it passes through the reduced area at the face of the disc, increasing in velocity and, therefore, decreasing in pressure. Some of the steam is discharged directly into the outlet stream, but a portion of it passes to a control chamber above the disc. The disc snaps shut because the pressure in the control chamber above acts on the whole disc, while the inlet pressure of the high-velocity steam acts only on a small area of the disc. A small bleed groove across the disc allows the steam and air to bleed out of the control chamber over time. When the force above the disc is overcome by the force of incoming steam, condensate or air on the face of the disc, the trap opens, discharging condensate that has accumulated during the cycle.

Installation

TDK-PS can be installed both vertically and horizontally with the pipeline. Flow direction indicator arrow on the product body should be examined carefully. In case discharging of condensate into the atmosphere, temperature of the released condensate which is around 100°C must be considered closely in order to maintain health and safety.

Condensate Discharge Chart

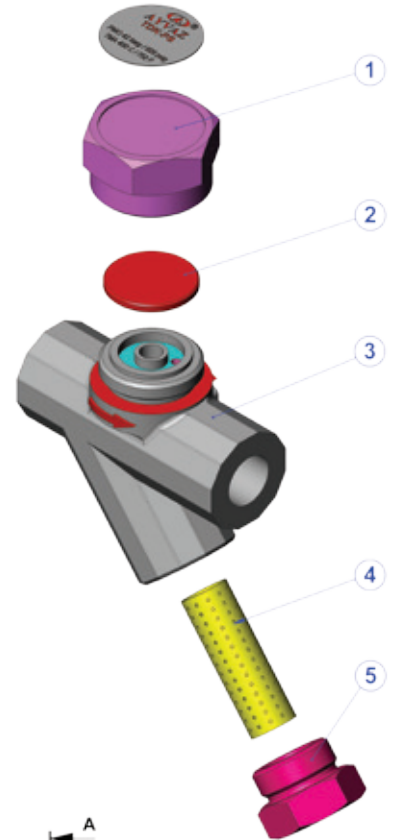
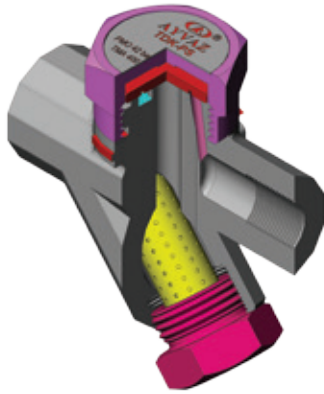
Discharge Capacity of TDK-PS Thermostatic Steam Trap from 1/2" to 1".



THERMODYNAMIC STEAM TRAPS

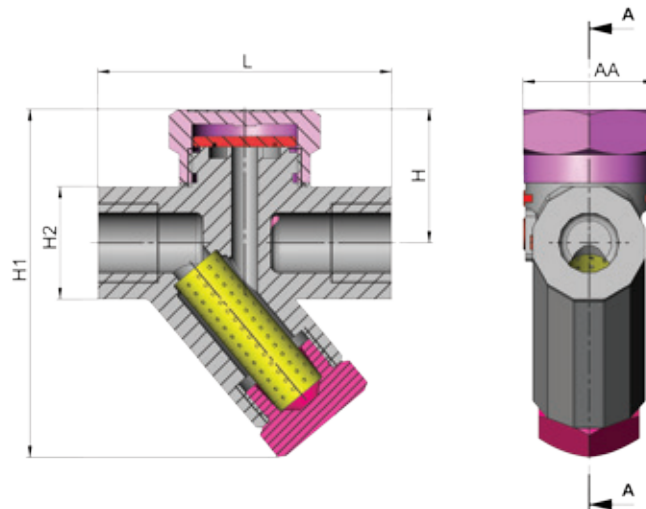
TDK-PS

Construction



Part list		
No	Part Name	Material
1	Cover	Stainless Steel AISI 304
2	Disc	Stainless Steel AISI 420
3	Body	ASTM A743 CA40F Corrosion Resistant Alloy
4	Strainer Screen	Stainless Steel AISI 304
5	Discharge Bolt	Stainless Steel AISI 304

Dimensions



		Dimensions				
Size	Code	Flanged				
		H (mm)	H1 (mm)	H2 (mm)	L (mm)	AA (mm)
1/2"	703300201035	36.5	94	30	78	35
3/4"	703300201036	43	103	36.5	90	40
1"	703300201037	51	115.5	43	95	45

All the dimensions in the table are given in "mm".
 Subject to technical alterations and deviations resulting from the manufacturing process without giving any notification.